

# ALSPEC MAGNETIC FLY DOOR CATCH

The Alspec Magnetic Fly Door Catch features magnetic latching that is suitable for left and right-handed sliding screen doors.

Utilising your existing security door tooling, the magnet housing fits into the same cut-out as a standard security door roller.

This allows the magnetic catch to be installed into the mortice in seconds.

## Key Features

- Handles are independent of the magnetic housing, allowing for handle heights to suit the end user
- Strong rare earth magnet that catches firmly every time
- Designed to increase speed of door fabrication
- Folding handles designed to conceal rivet or screw fixings
- Ergonomic handle design that is suitable for all ages
- Made from corrosion resistant material suitable for coastal installation

## 3 Complete Kits Available to Suit all Sliding Screen Doors



Item No.	Description
1304221	ALSPEC MAGNETIC FLYDOOR CATCH INC 2mm STRIKE KIT 1
1304222	ALSPEC MAGNETIC FLYDOOR CATCH INC 6mm STRIKE KIT 2
1304223	ALSPEC MAGNETIC FLYDOOR CATCH INC 12mm STRIKE KIT 3

## As well as 1 Pair of Handles for Bi-Parting Sliding Doors

Bi-Parting Sliding Door Handles



Item No.	Description
1304224	ALSPEC MAGNETIC FLYDOOR HANDLES x 2

Exclusive  
to  
Alspec

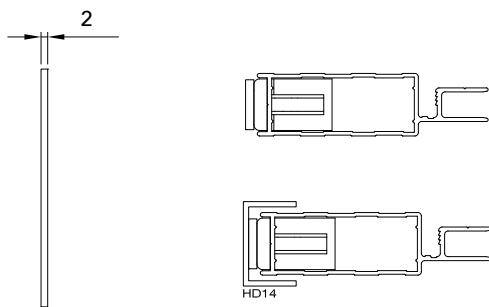


*Magnet cut out  
is done by roller  
punch tooling!*

## 2mm Kit - Retro Flyscreens

2mm striker to suit doors 'fit to measure'

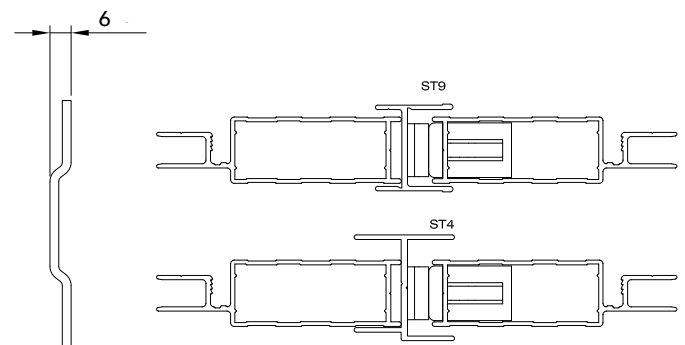
Item No.	Description
1304221	ALSPEC MAGNETIC FLYDOOR CATCH INC 2mm STRIKE KIT 1



## 6mm Kit - Carinya Meeting Screens

6mm striker to suit meeting configuration

Item No.	Description
1304222	ALSPEC MAGNETIC FLYDOOR CATCH INC 6mm STRIKE KIT 2



## 12mm Kit - Carinya/Altitude into a jamb

12mm striker to suit Carinya, Altitude and ProGlide Sliding Doors

Item No.	Description
1304223	ALSPEC MAGNETIC FLYDOOR CATCH INC 12mm STRIKE KIT 3

