



ELEGANCE XC



Operation: A reliable mortise lock for hinged doors having a latch bolt that is retracted by operation of either an outside or inside lever. Closing the door causes an auxiliary bolt to release the latch bolt enabling it to enter the aperture in a strike plate. Once fully extended it may be locked (or unlocked) from either side by key.

Special Features:

- **Interior snib lever** for quick and convenient locking without the need for a key.
- The **jimmy resistant strike plate** is designed to deform under attack to enable the strike plate to remain engaged with the bolt even as the door is jimmied away from the door jamb.
- A **notch in the latch bolt** engages a profiled strike plate aperture to provide enhanced resistance to forced entry.
- **Australian** design and manufacture.
- Subject to patenting.

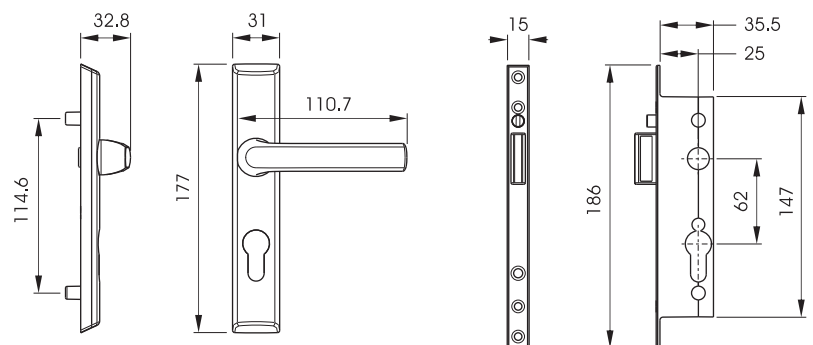
Multipoint: Elegance XC may be connected to multipoint kits to provide three point locking. These kits provide a top and a bottom bolt, each connected to the main lock body by a steel cable or rod. The remote bolts are activated whenever the door is locked by key or snib (see over page for details).

Installation Features:

- Fits into **industry standard cut-outs**.
- Standard lock fits door frames from 19mm to 25mm thick.
- Optional **'Fat Pack'** allows fitting into doors 35mm to 40mm thick.
- Suits both left hand hinged and right hand hinged doors.
- **Fitting instructions** can be downloaded from www.ausloc.com

Finishes: A range of powder coated finishes shown in Section 10 of this catalogue. Finishes include PSIL (powder-coated Satin Chrome look-alike).

- Keying:**
- AA 5-pin double cylinders
 - C4 or Gainsborough compatible keyways
 - can be keyed alike



Ordering Code	Elegance Caretaker	Notes
ELXC / colour	Elegance XC standard	
ELXCNC / BLMT	Elegance XC without cylinder hole (snib lever only)	available in black only

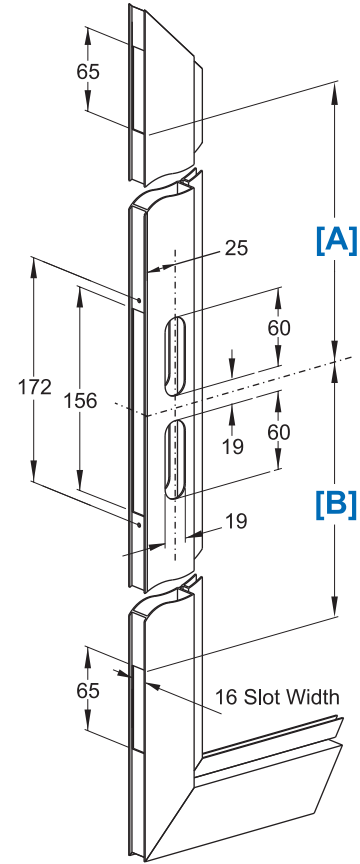


Multipoint Kits

E-KIT
Cable System
 Uses steel cables that provide quiet and reliable operation. Cables are only available in standard lengths.

H14R
Rod System
 Uses simple steel rods that are only available in standard lengths.

H14R-A
Adjustable Rod
 Uses steel rods that can be set to any length and fixed with a special brass coupling.



	Ordering Code	Description	[A]	[B]
CABLE	EKIT/H	Cable operated multipoint kit for Elegance series	682mm	826mm
	EKIT/H-ST150	Cable operated multipoint kit for Elegance series	532mm	826mm
	EKIT/L	Cable operated multipoint kit for Elegance series	826mm	682mm
	EKIT/P	Cable operated multipoint kit for Elegance series	375mm	961mm
ROD	H14R/H	Rod operated multipoint kit for Elegance series	682mm	826mm
	H14R/L	Rod operated multipoint kit for Elegance series	826mm	682mm
	H14R/P	Rod operated multipoint kit for Elegance series	375mm	961mm
	H14R/A	Adjustable Rod multipoint kit for Elegance series	any	any

Tolerance +/- 3 mm

Accessories

AA-C4/ KA or KD
AA-G/ KA or KD
 AA re-pinable double cylinder with C4 or Gainsborough compatible keyway.

AA-C4LHTT/ KA or KD
AA-C4RHHT/ KA or KD
 AA cylinder with Thumbturn on inside and 5-pin C4 outside. (refer Cylinder section for details)

W2000/ KA
 W2000 double wafer cylinder.

DC/colour
DCH/colour
 Door Closer and Door Closer Heavy Duty.

SP1
 Standard Strike Plate for Elegance (stainless steel).

WSP1
 Wide Strike Plate for Elegance series.

SP40
 Step-Over Strike for Elegance series locks.

SP24
 Narrow Strike Plate Kit for Elegance series locks on double doors.

SPS1
 Strike Plate Spacer for Standard Catch Plate SP1.

SP11 for multipoint
 Standard Catch Plate for E-Kit, U-Kit, and H14R remote bolts.

SP23 for multipoint
 Narrow Catch Plate Kit for E-Kit and H-14R remote bolts on double doors.

ELXC-FP
 Elegance XC 'Fat Pack' to fit doors 35mm-40mm thick

Pack contains:
 1 x 73mm lever rod
 1 x Elegance long snib lever
 2 x G8-32x2" CSK SS screws