



SD7 / SD7 PLUS

SD7



Operation: A reliable all-metal mortise lock for sliding doors having a latch bolt that is retracted by operation of either an outside or inside lever. Once latched it may be locked (or unlocked) from either side by key.

Special Features:

- **Self-latching lock bolt** engages automatically when the door is closed.
- **Anti-lift pin** on catch plate engages the lock body to prevent the sliding door being lifted out of its tracks.
- **Interior snib** locking feature.
- **Australian** design and manufacture.
- Subject to patenting.

'SD7 Plus' Additional Features:

The SD7 Plus employs a steel catch plate and steel beak to provide additional jemmy resistance.

Multipoint: SD7 may be connected to multipoint kits to provide three point locking. These kits provide a top and a bottom locking beak, each connected to the main lock body by a steel cable or rod. The remote beaks are activated whenever the door is locked by key or snib (see over page for details).

SD7 PLUS



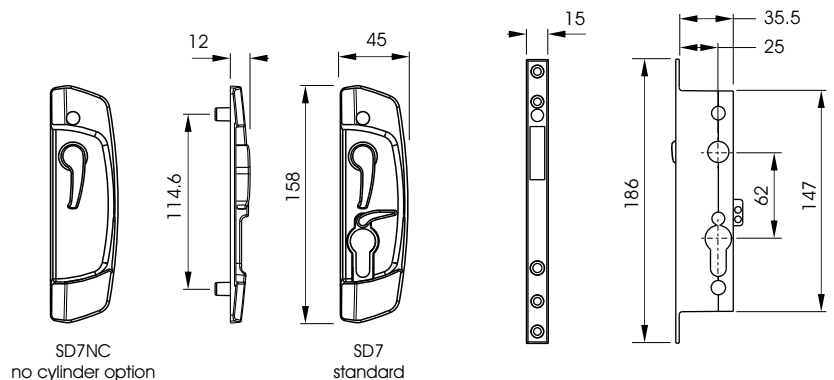
Installation Features:

- Fits into **industry standard cut-outs**.
- Suits both left hand closing and right hand closing doors.
- **Fitting instructions** can be downloaded from www.ausloc.com

Finishes: A range of powder coated finishes shown in Section 10 of this catalogue. Finishes include PSIL (powder-coated Satin Chrome look-alike).

- Keying:**
- AA 5-pin double cylinders
 - C4 or Gainsborough compatible keyways
 - can be keyed alike

SD7 Plus has a steel catch plate and steel beak.



Ordering Code	Description	Notes
SD7 / colour	SD7 standard	
SD7PLUS / colour	SD7 with steel beak and steel strike	
SD7NC / BLST	SD7 with No Cylinder hole	available in black only

* see accessories page for further options.

SD7 / SD7 PLUS

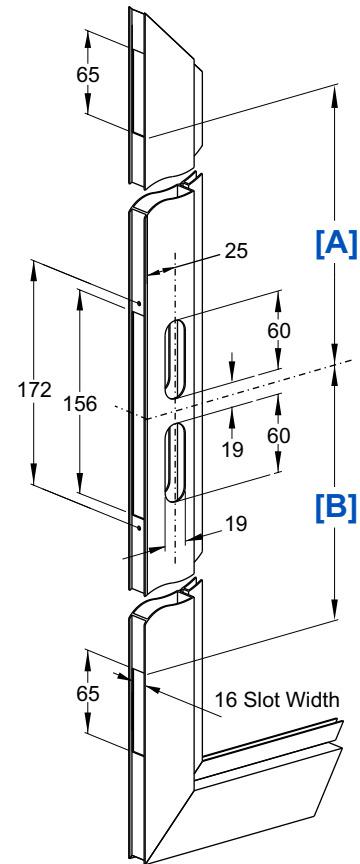


Multipoint Kits

SD14Plus
Cable System
 Uses steel cables that provide quiet and reliable operation. Cables are available in three standard lengths.

S14R
Rod System
 Uses simple steel rods that are available in three standard lengths.

S14R-A
Adjustable Rod
 Uses steel rods that can be set to any length and fixed with a special brass coupling.



	Ordering Code	Description	[A]	[B]
CABLE	SD14Plus/H	Cable operated multipoint kit for SD7 series	546mm	961mm
	SD14Plus/L	Cable operated multipoint kit for SD7 series	961mm	546mm
	SD14Plus/P	Cable operated multipoint kit for SD7 series	375mm	961mm
ROD	S14R/H	Rod operated multipoint kit for SD7 series	546mm	961mm
	S14R/L	Rod operated multipoint kit for SD7 series	961mm	546mm
	S14R/P	Rod operated multipoint kit for SD7 series	375mm	961mm
	S14R/A	Adjustable Rod multipoint kit for SD7 series	any	any

Tolerance +/- 3 mm

Accessories

AA-C4/ KA or KD
AA-G/ KA or KD
 AA re-pinable double cylinder with C4 or Gainsborough compatible keyway.

AA-C4LHTT/ KA or KD
AA-C4RHHT/ KA or KD
 AA cylinder with Thumbturn on inside and 5-pin C4 outside. (refer Cylinder section for details)

W2000/ KA
 W2000 double wafer cylinder.

FB/colour
 Double Flushbolt for **double doors**.

SD-TS KIT
 Kit containing a thin strike plate (4mm) for SD7 locks.

SD-EX KIT
 Kit containing SD7 levers with longer square drive (11mm) for use with wider doors.

SP6
 Standard SD7 strike plate.

SD7LH / colour
SD7 Long Handles
 SD7 lock body with Elegance levers for use on internal doors. Snib locking only. Ideal for sliding partitions.

SD-AL KIT
 Kit containing a narrow strike and lever coupling to offset an SD7 lock.

SD-NZ KIT
 Kit containing a strike plate for NZ frames with central rib.

SP9 for multipoint
 Standard strike plate for SD14 and S14R.